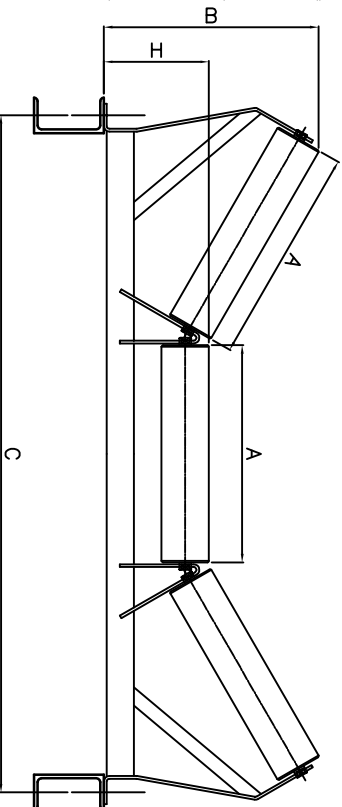
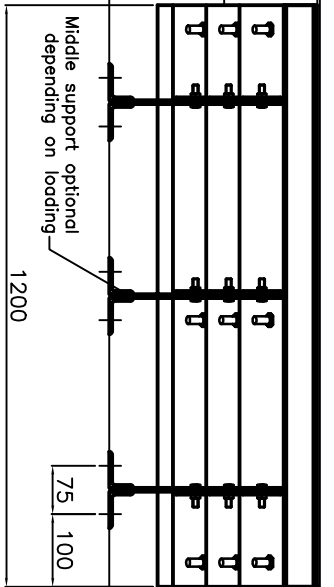
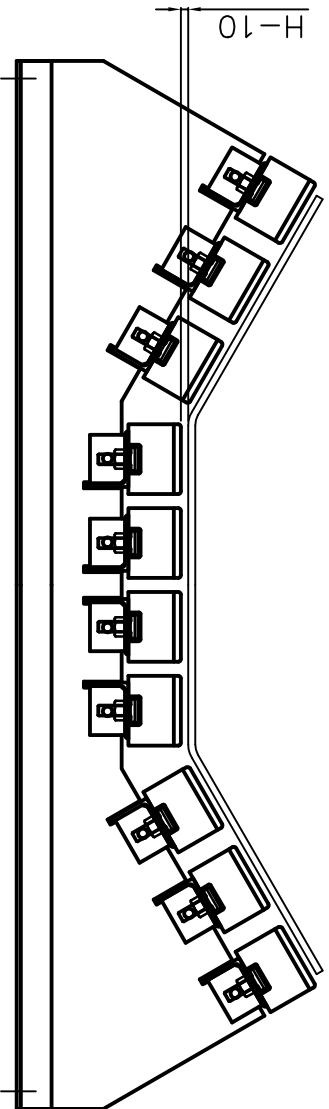


DO NOT SCALE. IF IN DOUBT - ASK
THIRD ANGLE PROJECTION

Belt Direction



Impact Bar Sizes
50mm x 100mm x 1200mm
75mm x 100mm x 1200mm
Any other Information:



Belt Width	600	750	900	1050	1200	1350	1500
No. Impact Bars	4	6	7	7	10	10	10

Belt Width	Belt Speed	Material Density	Max. Lump Size	Height of Drop	Trough Angle x°	A	B	C	H

DESCRIPTION
Horizon Impact Bed Range
Impact Bed Data Sheet

HORIZON
CONVEYOR EQUIPMENT

Unit 1 Haywards Road
Haywards, West Midlands, S26 3PD
TEL : 44 (0)121 880 2218 FAX: 44 (0)121 880 2208
E-MAIL: info@horizon-conveyors.co.uk
Internet: http://www.horizon-conveyors.co.uk

CLIENT

JOB NO.

DRAWN A. Jackson CH/KD APP'D

DATE 3-Jun-08 DATE

SCALE
MIS

DRAWING NO. Impact_Data_Sheet REVISION A

REVISION	'A'
DESCRIPTION	Original
APPROVED	A. Jackson
DATE	3-Jun-08

CONFORMING TO THE DRAWING MUST BE MADE USING THE 'HORIZON' CAD SYSTEM

SIZE 'A1' 841 x 594mm.