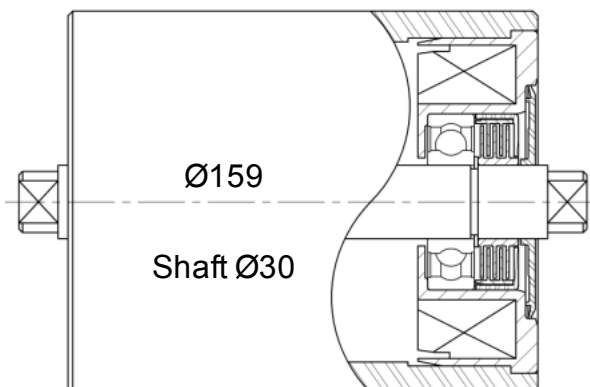
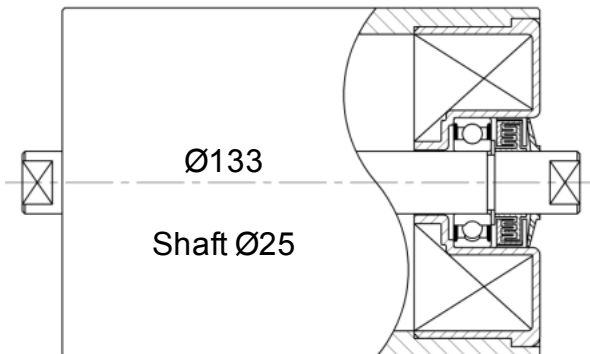
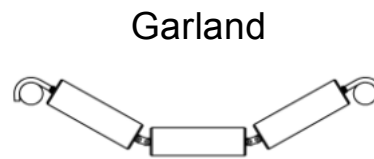
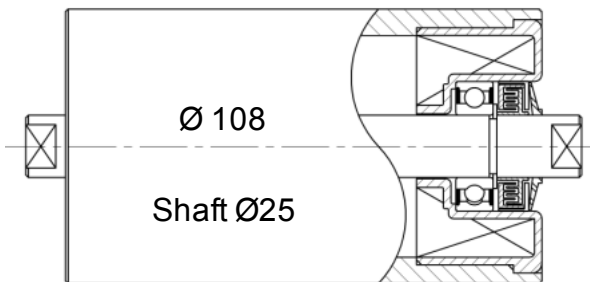
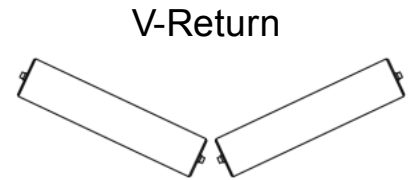
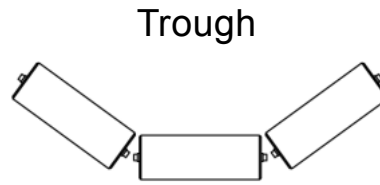
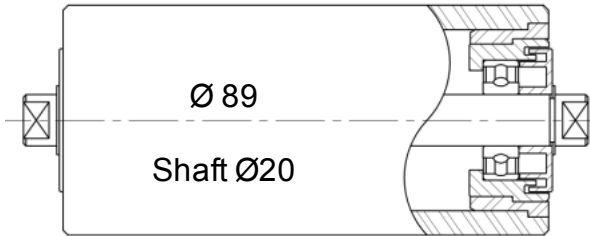


You Can Rely On Horizon Plastic Rollers For High Performance

# PLASTIC IDLER ROLLERS

FOR LIGHT, MEDIUM AND HEAVY DUTY APPLICATIONS



**Fits Into All Standard Roller Applications**

**Highly Corrosion Resistant**

Can resist corrosive chemicals, Acids and Alkalis

**Abrasion Resistant**

A 10mm thick high wear resistant HDPE shell which can withstand considerable impact.

**Light And Strong**

The HDPE Roller is one third the weight of a steel roller which, coupled with superior strength, means that less energy is required to drive the conveyor, transportation costs are reduced and considerable savings can be achieved.

**Reduced Belt Damage**

Should a plastic roller jam there is no sharp steel in contact with the belt.

**Low Noise Operation**

Plastic rollers considerably reduce noise levels.

**Labyrinth Seals**

All Horizon Plastic rollers are fitted with labyrinth seals and protective Stationary outer Flingers.

**Bearings**

Quality 2RS sealed bearings are used.

**Runout (TIR)**

All Rollers are fully machined after assembly.

**HORIZON**<sup>®</sup>

Haysech Road, Halesowen, West Midlands B63 3PD.

Tel. +44 (0)121 550 2218 Fax. +44 (0)121 550 2243 Email: [info@horizonconveyors.co.uk](mailto:info@horizonconveyors.co.uk)

Find out more about the Horizon range at: [www.horizonconveyors.co.uk](http://www.horizonconveyors.co.uk)