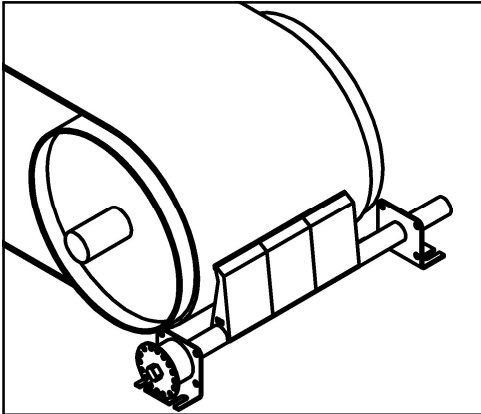


Horizon Belt Scrapers For Cost Effective Cleaning

RTS CLEANING RANGE

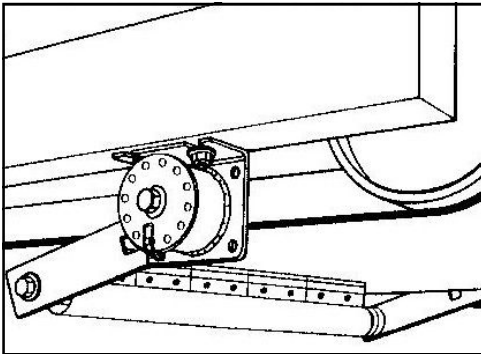
The RTS scraper range has been specifically designed as an easy to fit, cost effective & easy to maintain range of Primary, Secondary & 'V' Plough Scrapers to fit conveyor belt widths from 450mm up to 1200mm wide.



PRIMARY SCRAPER

The RTS Primary Scraper can be Chute mounted or bolted directly to the conveyor stringers

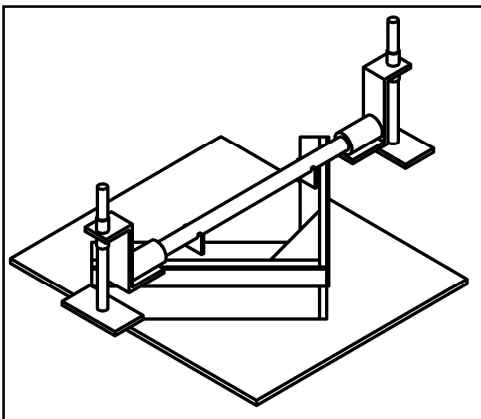
Blades: Polyurethane or Tungsten Tipped
Tensioning: Single sided self-adjusting twist tensioners



SECONDARY SCRAPER

The RTS Secondary Scraper can be chute mounted or bolted directly to the conveyor stringers

Blades: Polyurethane or Tungsten Tipped
Tensioning: Double sided self-adjusting twist tensioners



HOR-20 'V' Plough

The RTS HOR-20 'V' Plough is compact and mounted onto the top of the stringer positioned between idler sets. The plough is fully self-adjusting

Blades: Polyurethane

HORIZON[®]

Haysech Road, Halesowen, West Midlands B63 3PD.

Tel. +44 (0)121 550 2218 Fax. +44 (0)121 550 2243 Email: info@horizonconveyors.co.uk

Find out more about the Horizon range at: www.horizonconveyors.co.uk