

HORIZON®

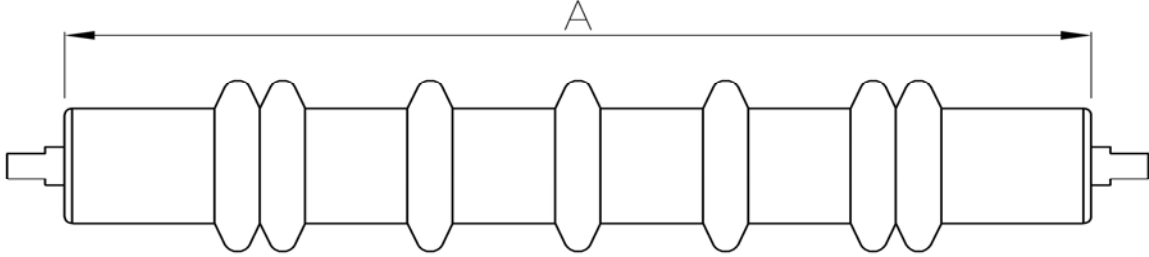
CONVEYOR EQUIPMENT

Drop-in Flat Return Roller



Belt Width (mm)	500	600	650	750	800	900	1000	1050	1200	1350	1400	1600	1800	2000
Dim (A)	600	700	750	900	950	1050	1150	1200	1350	1500	1600	1800	2000	2200

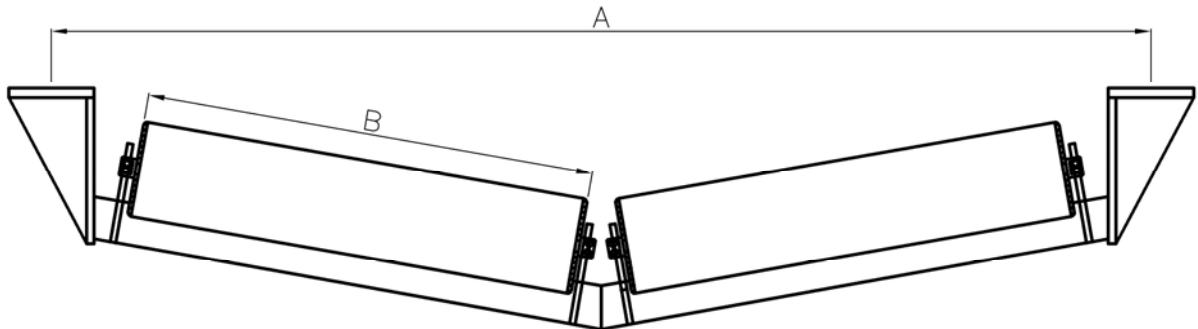
Drop-in Disc Return Roller



Note: Disc return roller disc diameters available: 108mm – 133mm – 159mm – 193mm

Belt Width (mm)	500	600	650	750	800	900	1000	1050	1200	1350	1400
Dim A	600	700	750	900	950	1050	1150	1200	1350	1500	1600
No Disc's	6	6	7	7	7	8	9	9	10	10	11

2 Roll Vee Return Idler

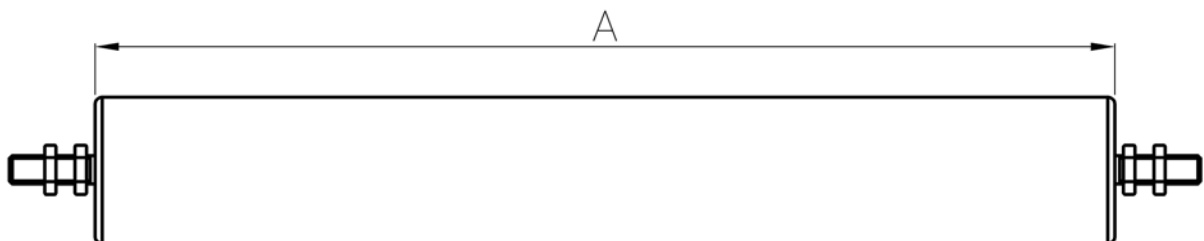


Belt Width (mm)	500	600	650	750	800	900	1000	1050	1200	1350	1400	1600	1800	2000
Dim A	740	840	890	990	1040	1140	1240	1300	1450	1650	1700	1900	2300	2300
Dim B	N/A	N/A	N/A	N/A	465	530	600	600	670	750	800	900	1000	1100

Note: Should you require any further technical advice with regards to drawings, fitting and maintenance please contact us

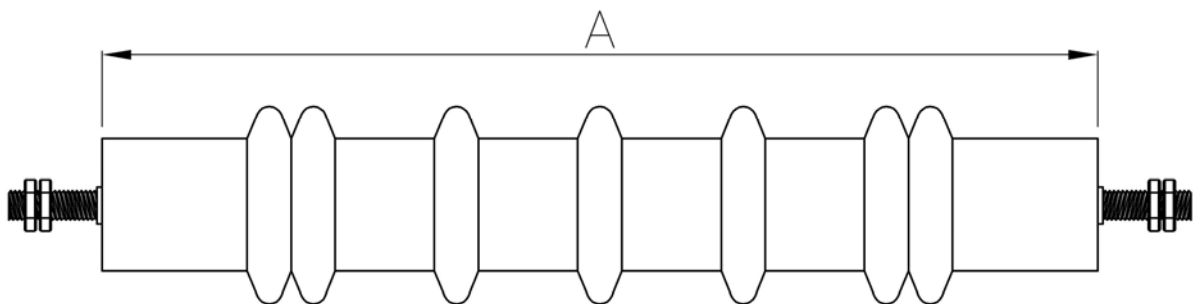
Find out more about the Horizon range at: www.idlerollers.co.uk

Screwed Shaft End Return Roller



Belt Width (mm)	400	450	500	600	650	750	800	900	1000	1050	1200	1400	1500
Dim (A)	483	533	584	686	737	838	889	991	1092	1143	1295	1448	1600

Screwed Shaft End Disc Return Roller



Belt Width (mm)	400	450	500	600	650	750	800	900	1000	1050	1200	1400	1500
Dim (A)	483	533	584	686	737	838	889	991	1092	1143	1295	1448	1600
No Disc's	5	5	6	6	7	7	7	8	9	9	10	11	12

Note: Should you require any further technical advice with regards to drawings, fitting and maintenance please contact us

Find out more about the Horizon range at: www.idlerollers.co.uk