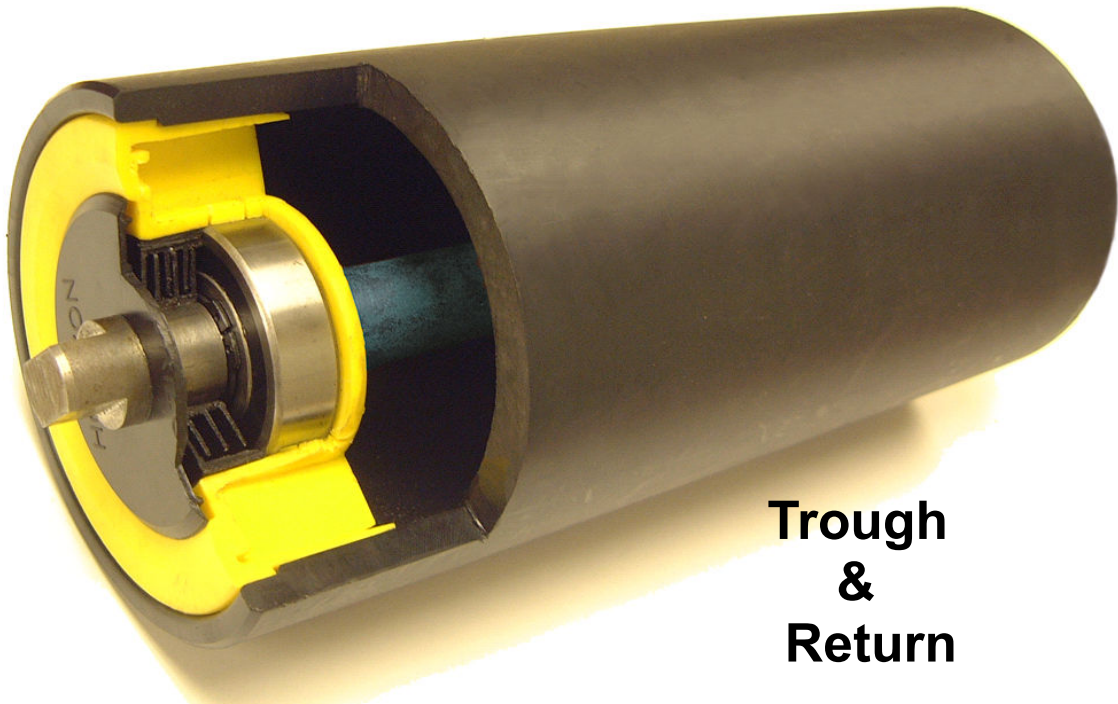


HORIZON®

CONVEYOR EQUIPMENT

Plastic Idler Rollers



**Trough
&
Return**

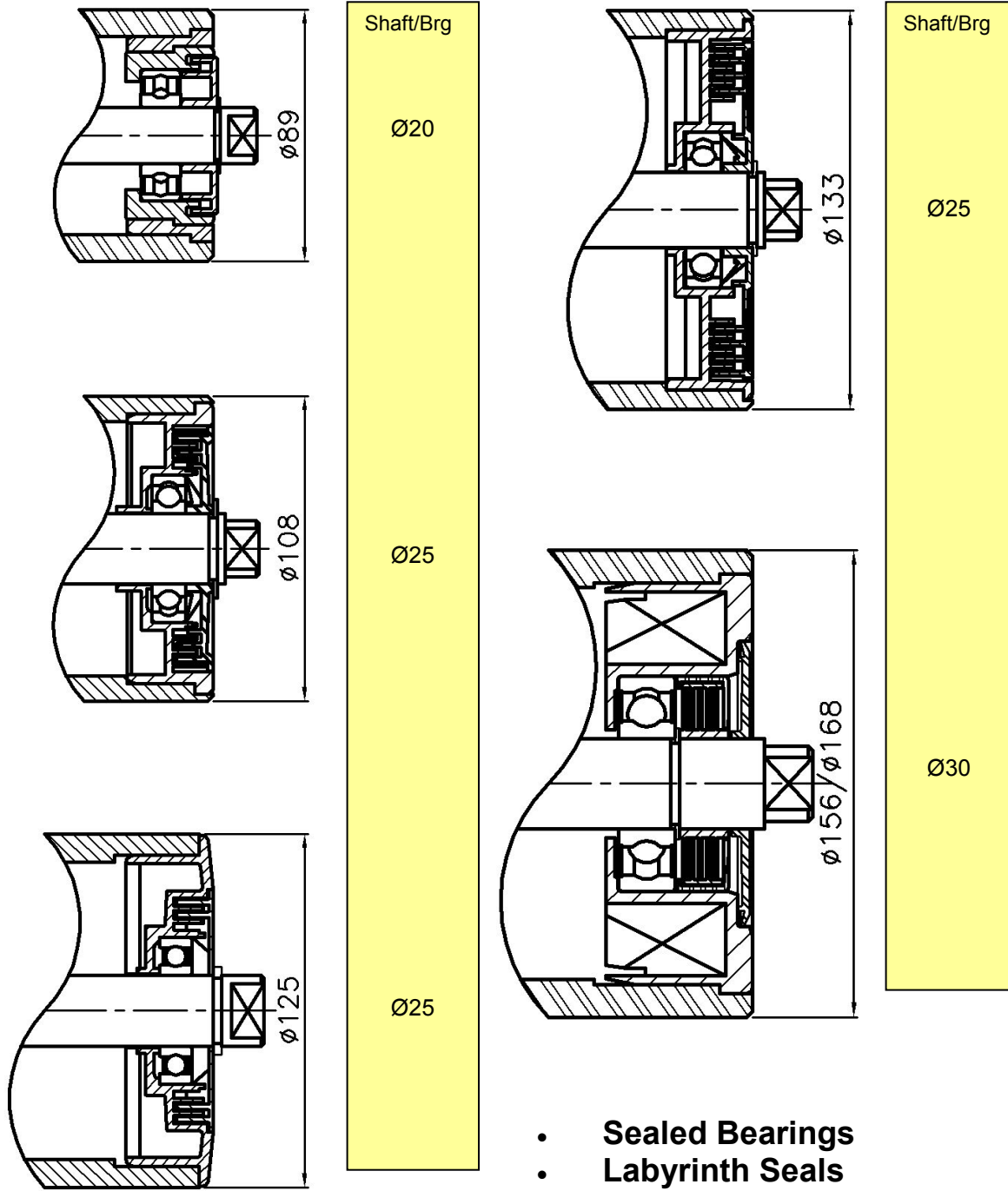
Light/Medium Duty Range

Roll Diameter: 89mm (3 ½"), 108mm (4")
Shaft Diameter: 20mm, 25mm
Seals Type: Multi-labyrinth & Flinger Seal
Housings: Moulded Plastic

Medium/Heavy Duty Range

Roll Diameter: 108mm (4"), 125mm/133mm (5"), 159mm (6")
Shaft Diameter: 25mm, 30mm
Seal Type: Multi-labyrinth & Flinger Seal
Housings: Moulded Plastic
Roller Tubes: HDPE (Black)
Fire Resistant Polypropylene (Grey)

Plastic Roller Construction



- Sealed Bearings
- Labyrinth Seals
- Dust & Water Flingers