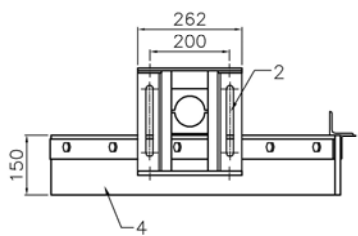
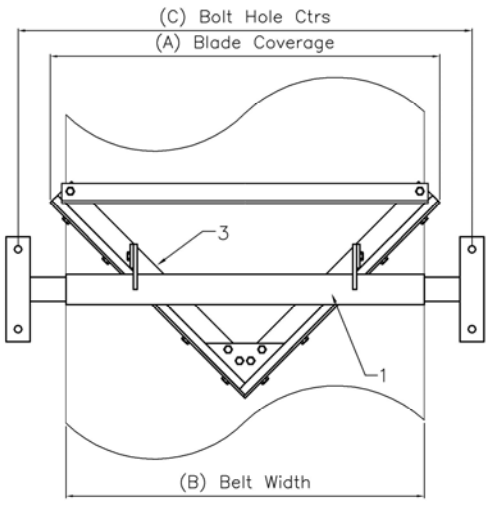


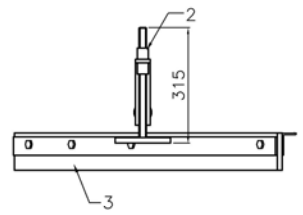
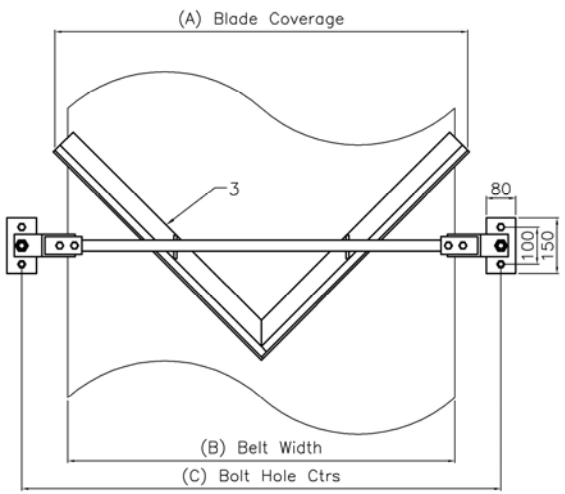
CONVEYOR EQUIPMENT

‘V’ & BIAS PLOUGH SCRAPERS



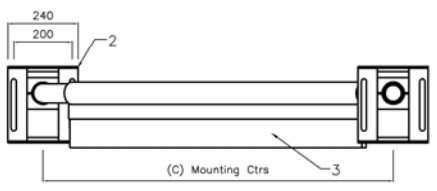
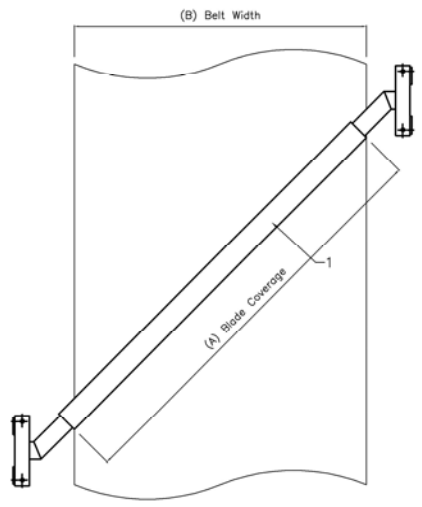
**Self-Adjusting
Heavy Duty ‘V’ Plough**

Type: HOR-10



Mini ‘V’ Plough

Type: HOR-20



**Self-Adjusting
Bias/Angle Plough**

Type: HOR-30

Note: Should you require any further technical advice with regards to drawings, fitting and maintenance please contact us

Find out more about the Horizon range at: www.beltscrapers.co.uk